

Age Range: 3 and up
 Weight Limit: 130 lbs.
 Surfaces: Grass/Asphalt & Other
 Hard Surfaces
 Speed: 2.5 For/Rev
 5.0 For

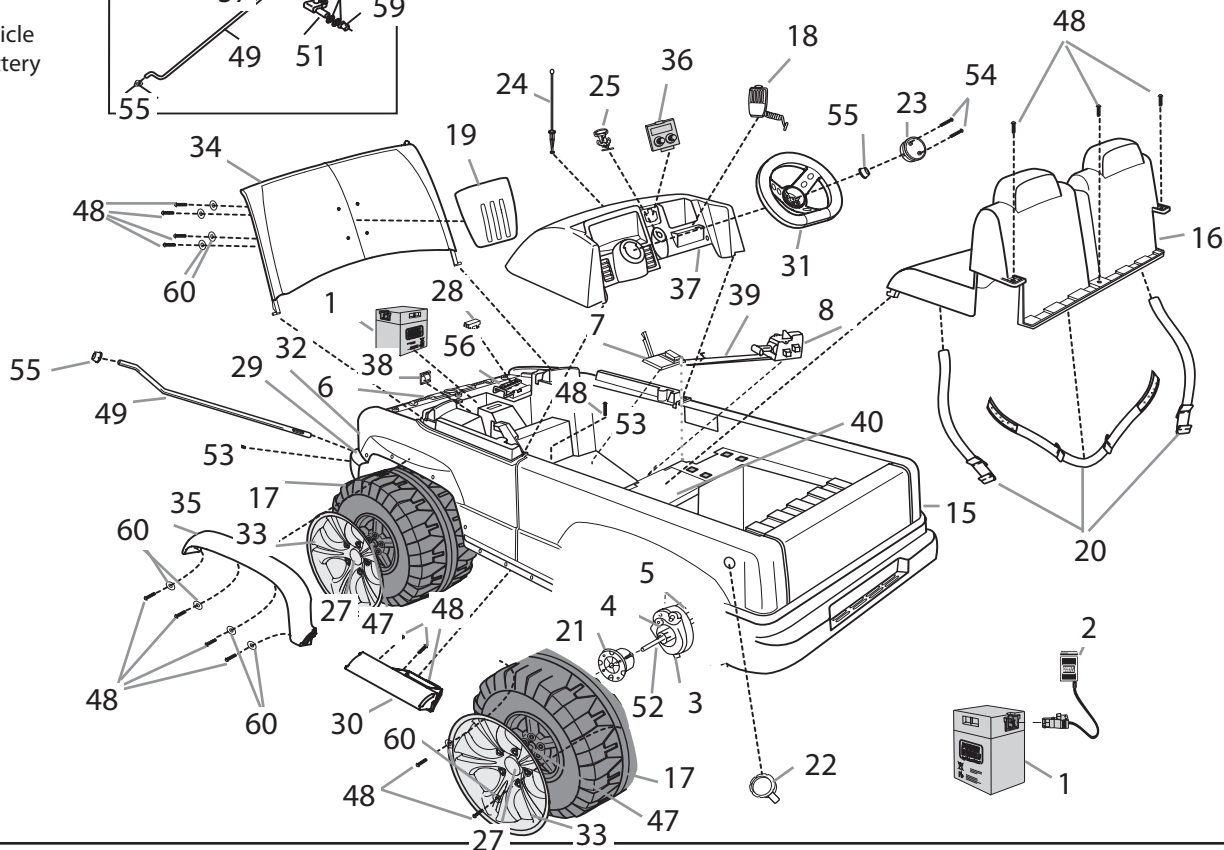
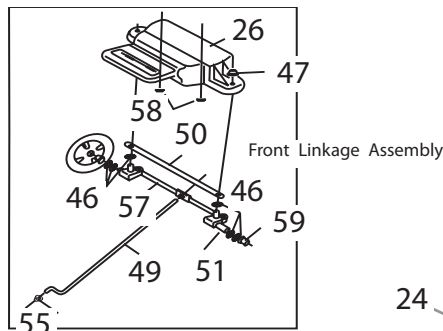


G3740

Street Scene Silverado

12V Advanced Series

Colors: Purple Body/Black
 Wheels/Gray Seat
 Intro: 2004
 Suggested Retail: 289.99
 Box Dimensions:
 22 x 34 x 59.750
 68 lbs.
 Warranty
 One Year Vehicle
 6 Months Battery



Rev. 3/5/08

Item No.	Description	Part No.	Qty.	Item No.	Description	Part No.	Qty.	Item No.	Description	Part No.	Qty.				
Working / Electrical Parts															
1.	12V Battery	00801-0638	1	28.	Battery Clamp Cap	G3740-2519	1	54.	# 8- 18 X 1" Screw N/A (Order Hardware Bag)	00801-1259	2				
2.	12V Probe Charger	00801-0972	1	29.	Front Bumper	G3740-2679	1	55.	.354 Cap Nut	0801-0604	2				
3.	Motor Gearbox Assembly	00968-2910	2	30.	Center Fender Flare	G3740-2769	2	56.	Battery Retainer	74020-9819	1				
4.	Gearbox W/out Motor	74310-9529	2	31.	Steering Wheel	G3740-2779	1	57.	Steering Linkage Assembly	B1476-9419D	1				
5.	Motor Pinion Assembly	00968-2701	2	32.	Metal Grill	G3740-6139	1	58.	Front Module Screws N/A		2				
6.	Main Harness Assembly	G3740-9071D	1	33.	Wheel Cover (metal)	G3740-6439	4	59.	Bushing, 437	B9785-2229	2				
7.	Footboard Assembly	G3740-9829D	1	34.	Hood	G3740-9619	1	60.	.734 Washer N/A (Order Hardware Bag)	0801-0958	16				
8.	Shifter Assembly	74310-2439D	1	35.	Front Fender Flare (Left and Right Bagged)	G3740-9739D	1								
Plastic / Other Parts															
15.	Body	N/A	1	36.	Knob Plate	3800-7529D	1	Parts Not Shown							
16.	Seat	G3740-2209	1	37.	Cab w/Microphone	G3740-9010D	1	Large Parts Bag	3800-7590	1					
17.	Left Wheel	G3740-2409	2	38.	Wire Clip (Adhesive)	0801-0313	1	Hardware Bag	G3740-9279	1					
18.	Microphone w/Cord	B1476-9479D	1	39.	Channel Cover	G3740-2379	1	Owner's Manual	G3740-0920	1					
19.	Metal Hood Scoop	3800-7473	1	40.	Shifter Cover Plate	G3740-2339	1	Decal Sheet	G3740-0350	1					
20.	Seatbelt Set	74460-5339	1	Hardware / Metal Parts											
21.	Wheel Driver	74460-2249	2	46.	7/16" Washer	0801-0196	4	Decal Sheet-Windshield	G3740-0320	1					
22.	Gas Cap	75597-2089	1	47.	.437 Cap Nut	0801-0226	6	Decal Sheet-Windshield	G3740-0320	1					
23.	Steering Wheel Button N/A	75597-2749	1	48.	# 8 x 3/4" Screw	0912-8001	28	Footswitch (Plunger Type)	00801-0933	1					
24.	Antenna	B1476-2149	1	49.	Steering Column	74310-4239	1	Right Wheel	G3740-2419	2					
25.	Key Housing Assembly	78490-9369	1	50.	Cross Bar	75840-4409	1	Right Rear Flare	G3740-2749	1					
26.	Front Module	G3740-2019	1	51.	Front Axle	G3740-4509	2	Left Rear Flare	G3740-2759	1					
27.	Hubcap	G3740-2429	4	52.	Rear Axle	G3740-4519	1	Control Switch (shifter/rocker)	00801-0923	1					
				53.	# 8-18 X 1 3/4" Screw N/A (Order Hardware Bag)	0912-8007	2								

N/A = Not Available

Bold and Underlined parts are to be purchased and installed by Service Centers only. These items may not be sold directly to consumers by Service Centers or Fisher-Price.